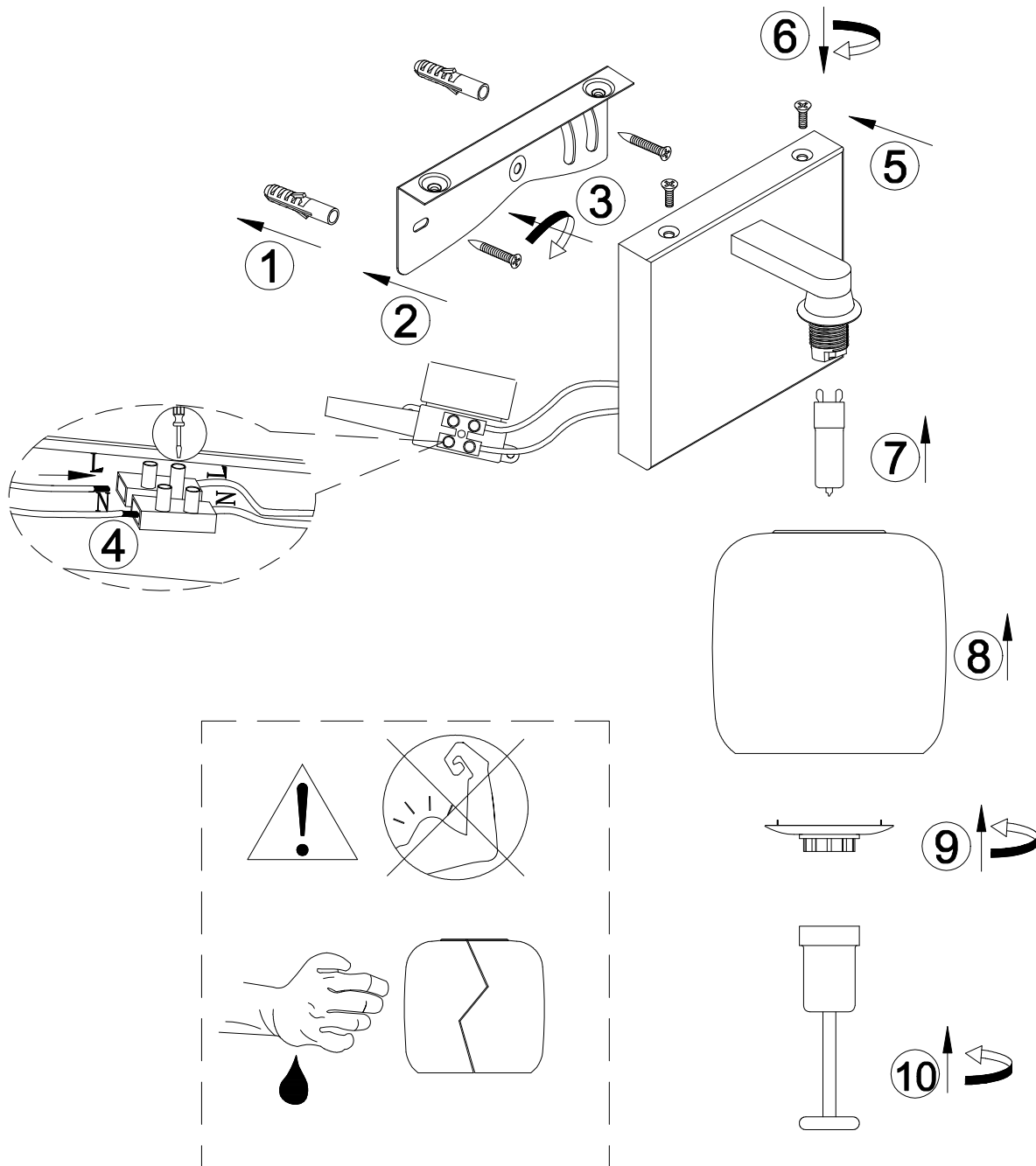


INSTALLATION INSTRUCTION

Item No. : W0296



FEATURE

●220-240V~ 50Hz

●Lamp Type: G9 1×MAX 42W

The lamp can be only indoor used

If in doubt,consult a qualified electrician or contact your retail outlet.

Ensure that you always install the fitting to the relevant regulations.

Certain regulations indicate that lighting fittings should be installed

by a qualified electrician.