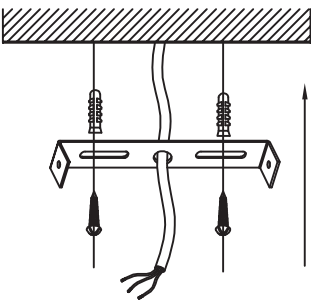
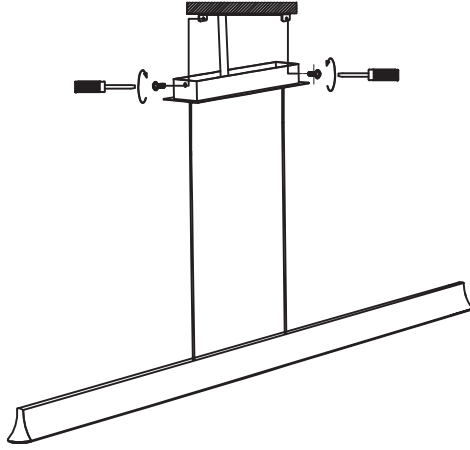
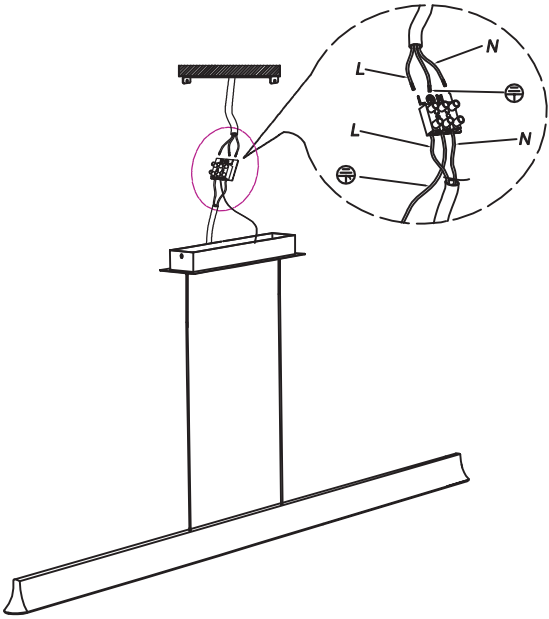
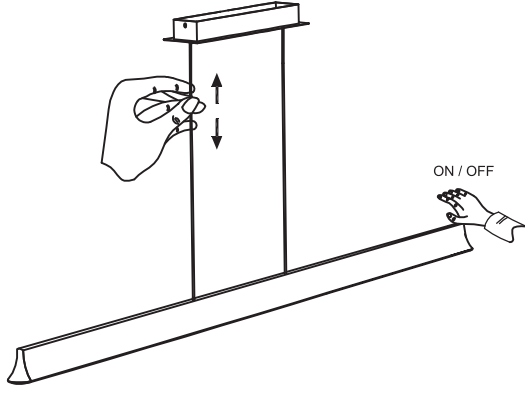


INSTALLATION DESCRIPTION

WARNING			MODEL: P0594
Cut off the power when you install or repair the lamp			
1			3
2			
2		4	
			

REMARKS:The bulb can not touch the lampshade.

If the outer wires were damaged, the wires should be changed by the manufacturer or a service agent or an eligible person to avoid any risks that would be occurred.