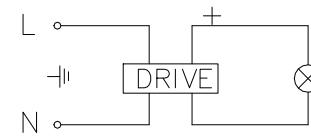
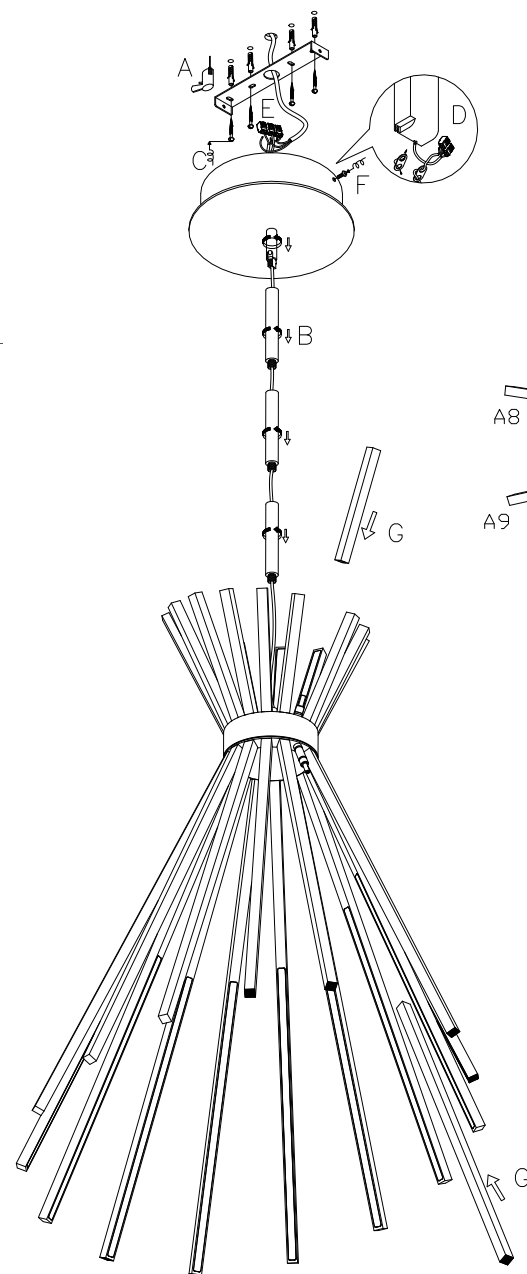
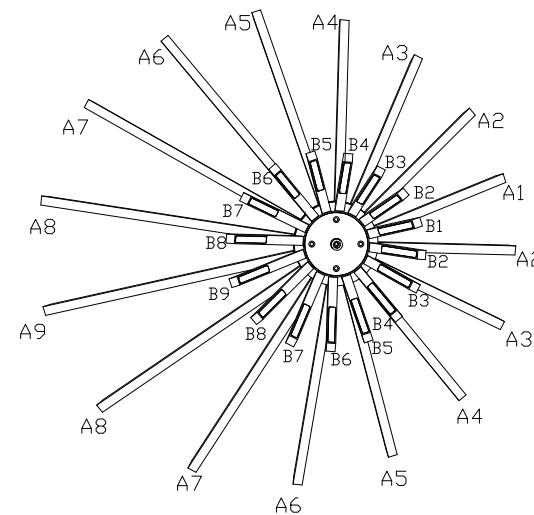


INPUT: 220-240V 50/60Hz CLASS  
 LAMP-HOUSE: LED-88W  
 MATERIAL: ALUMINIUM



TOP VIEW



(Fig.1)

- |             |               |
|-------------|---------------|
| A1(L=490mm) | B1(L=150mm)   |
| A2(L=496mm) | B2(L=152mm)   |
| A3(L=512mm) | B3(L=156.5mm) |
| A4(L=538mm) | B4(L=164mm)   |
| A5(L=571mm) | B5(L=173mm)   |
| A6(L=607mm) | B6(L=183mm)   |
| A7(L=641mm) | B7(L=191.5mm) |
| A8(L=666mm) | B8(L=197.5mm) |
| A9(L=675mm) | B9(L=200mm)   |

P0353