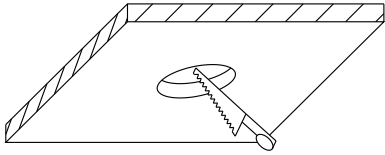


Step1

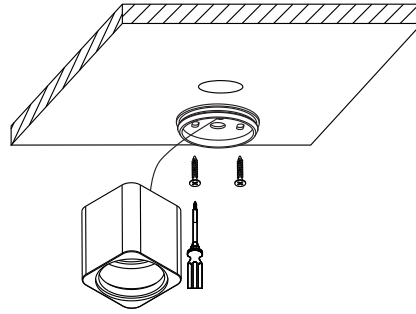
⚡ Please make sure that mains is disconnected before proceeding!



Drill a hole on the ceiling for the wire.

Step2

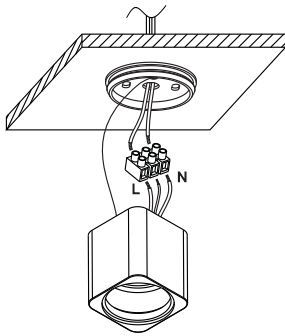
⚡ Please make sure that mains is disconnected before proceeding!



Fix the rear panel on the ceiling.

Step3

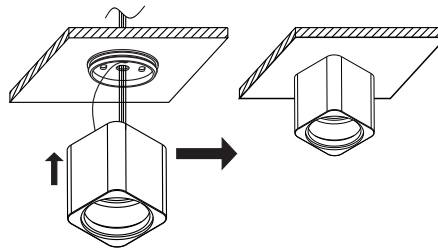
⚡ Please make sure that mains is disconnected before proceeding!



Please connect the wire to (L&N) input terminal of light

Step4

⚡ Please make sure that mains is disconnected before proceeding!



Fix the light in the board, then to test.